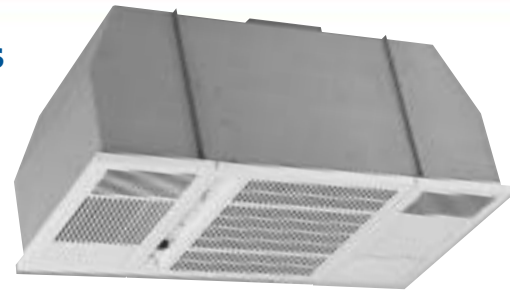


ELECTRONIC / MEDIA AIR CLEANERS

DELIVERING CLEAN AIR TO PUBLIC PLACES

The Trion FM 1000 was specifically designed to clean the air in rooms where people work or relax, such as restaurants, bars, taverns, offices, conference or computer rooms, waiting rooms, or designated smoking areas. Because of its smart design, it fits in a 2' x 4' (610 x 1219 mm) ceiling panel, so it's an easy solution for most any situation.

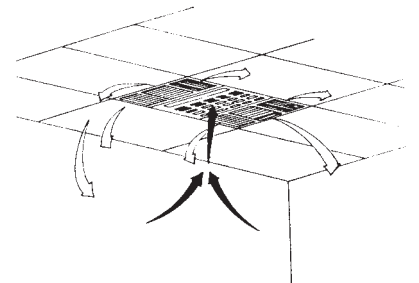


THE FM 1000 PROVIDES:

- **Multiple Model Selection** — There are two models to choose from: the FM 1000E (electronic air cleaner) and the FM 1000M (media air cleaner). So, there's an FM 1000 that can meet virtually any scenario.
- **Easy Installation** — These units feature a low-profile design that is not only appealing to the eye, but requires no elaborate ductwork or installation.
- **High Performance** — Each of these units is capable of removing up to 95% of tobacco smoke, dust, pollen, lint, bacteria, and mold spores from indoor air.
- **Flexible Performance** — Each unit features three convenient speeds, ranging from 400 to 1100 cfm (680 - 1879 m³/hr) to quickly and easily meet the demands of the environment.
- **Affordable Operation** — Because these units recirculate indoor air, there's no expense to reheat or cool air. And the FM 1000E features a Forever Filter[®] that never needs to be replaced; just clean, dry, and reinstall.
- **Additional Odor Control** — The optional charcoal after-filter helps control the smell of gas and other odors.
- **Super-Effective Air Cleaning** — The optional remote discharge allows wider separation between intake and discharge areas. This means more effective air cleaning.

POWERFULLY-EFFECTIVE AIRFLOW PATTERN

The FM 1000E and FM 1000M models feature "center suction" dirty air intake and discharge returned clean air in six directions, so clean air circulates faster. That means happier, more comfortable patrons, employees, or guests.

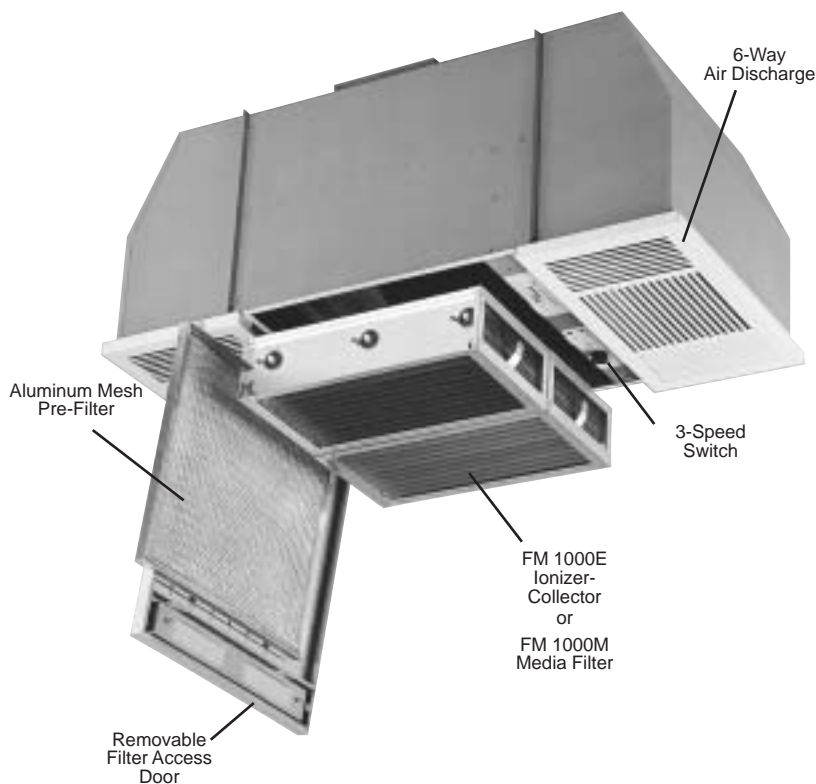


FM 1000 ELECTRONIC / MEDIA AIR CLEANERS



FM 1000E

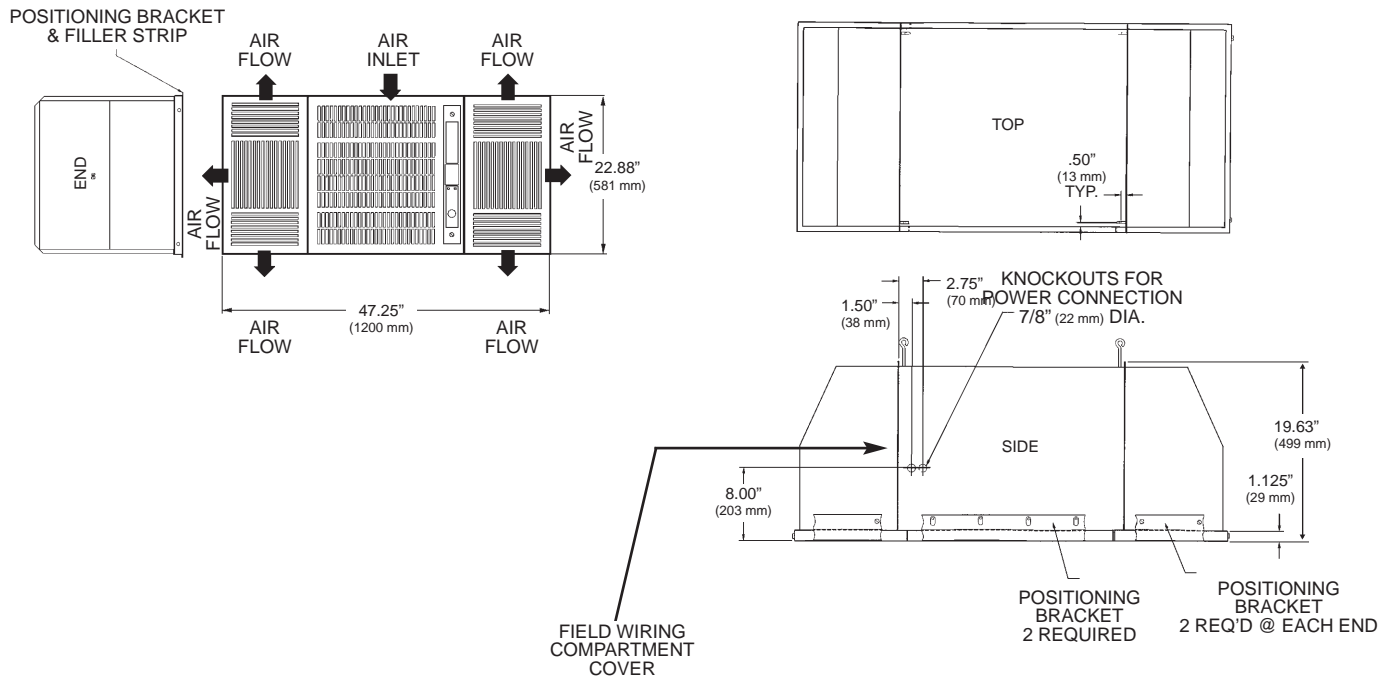
The Trion FM 1000E utilizes the principle of "electrostatic precipitation." Dirty air is drawn into the center intake by the motor/blower, and is moved through the washable, aluminum mesh pre-filter where lint and large dust particles are trapped. The remaining particles, some as small as .01 micron, pass into a strong electrical field (ionizing section) where each particulate receives an electrical charge. These charged particles then pass into a collector plate section made up of a series of equally-spaced parallel plates. Each alternate plate is charged with the same polarity as the particles, which are repelled, while the interleaving plates are grounded, and attract and collect the particles. Clean air is then discharged in six directions back into the area.



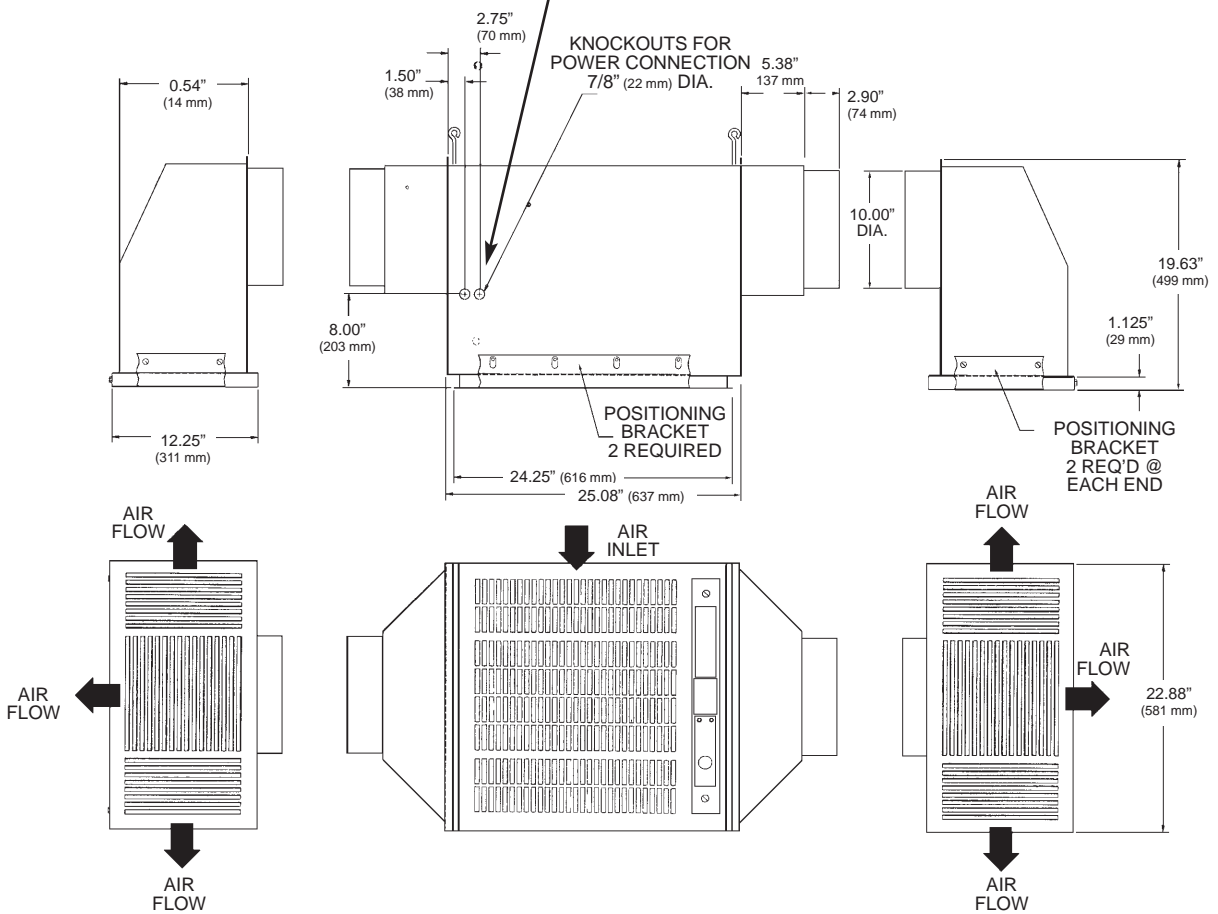
FM 1000M

The Trion FM 1000M utilizes a principle called "interception filtration." In the first stage of this two-stage process, dirty, polluted air is drawn into the center intake by the motor/blower and is moved through the washable, aluminum mesh pre-filter to remove lint and larger dust particles. In the second stage, the micro-glass deep pocket media filter strips smoke and other submicron particles from the air stream by interception. The small diameter fibers in the filter intercept and retain these small particles while the large surface area of the filter provides long life and low pressure drop. Clean air is then discharged in six directions back into the area. The quiet blower is designed specifically to handle the two-stage filtration system at rated CFM (m^3/hr) over the useful life of the filter.

FM 1000 DIMENSIONS



REMOTE DISCHARGE OPTION



FM 1000 ELECTRONIC / MEDIA AIR CLEANERS SPECIFICATIONS

MODEL	FM 1000E • ELECTRONIC	FM 1000M • MEDIA
PART NO.	440515-001	440515-002
DIMENSIONS INCHES (mm)	47 ¹ / ₂ L x 22 ⁷ / ₈ W x 19 ⁵ / ₈ D (1207 x 581 x 499)	47 ¹ / ₂ L x 22 ⁷ / ₈ W x 19 ⁵ / ₈ D (1207 x 581 x 499)
INSTALLATION	Above ceiling / flush mount	Above ceiling / flush mount
WEIGHT LBS (kg)	108 (49) / shipping 240 (109)	88 (40) / shipping 160 (72.6)
ELECTRICAL	120 V, 60 Hz, 1 ph - 3.1 amps	120 V, 60 Hz, 1 ph - 4.0 amps
MOTOR	1/3 hp (.25 kW) ball bearing, direct drive, thermally protected	1/3 hp (.25 kW) ball bearing, direct drive, thermally protected
BLOWER	Propeller fan	Propeller fan
AIR VOLUME	600, 800, 1100 cfm (1020, 1360, 1870 m ³ /hr)	400, 500, 650 cfm (680, 850, 1105 m ³ /hr)
CONTROLS	3-speed, power "ON" light, "to cell" light	3-speed, power "ON" light
SOUND RATING	49, 56, 65 dB	55, 64, 69 dB
FILTER EFFICIENCY	Up to 95% per ASHRAE 52.1 / dust spot	95% per ASHRAE 52.1 / dust spot
PRE-FILTER	Aluminum mesh	Aluminum mesh
PRIMARY FILTER	Forever Filter® – permanent aluminum collector cell	Multi-pleat filter module

STANDARD SPECIFICATIONS FOR EACH UNIT

CABINET	20-Gauge (1.0 mm) galvanized steel
FINISH	Almond epoxy powder-coat paint
AIR FLOW	6-Way discharge, Coanda flow
FILTER ACCESS	Hinged, removable filter access door
MOUNTING HARDWARE	Four eyebolts Six trim brackets
SAFETY DEVICE	Access door safety switch
ACCESSORIES (OPTIONS)	Disposable charcoal after-filter Remote ON/OFF switch Remote air discharge



Fedders Unitary Products • 505 Martinsville Rd. • Liberty Corner, NJ 07938
 For Inquiries: Phone: 908-604-8686 • www.fedders.com • email: info@fedders.com
 Trion, Inc. reserves the right to make changes in design and specification without notice.

Form No. T-FM1000-0804 • ©2004, Trion, Inc. • Forever Filter is a registered trademark of Trion, Inc.