

SPACE SAVER



Electronic Air Cleaner

ENGINEERED SOLUTIONS FOR CLEAN AIR

The Space Saver is a commercial air cleaner specifically designed for rooms and areas where people work or relax.

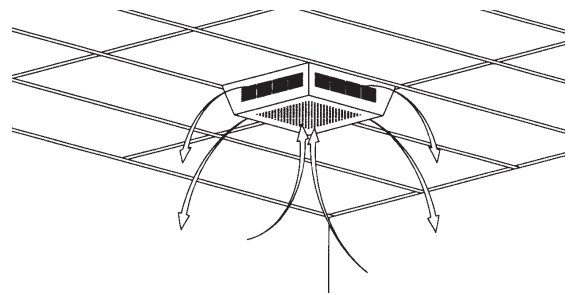
The Space Saver is designed to be mounted to a solid or into a suspended ceiling. When mounted from a suspended ceiling it extends less than 100 mm into the room, dropping into one-half of a standard 60 x 120 cm ceiling tile. The low profile design provides an appealing unit that does not require elaborate ductwork or expensive installation.

The Space Saver has the capacity to help remove up to 95% of tobacco smoke, dust, pollen, lint, bacteria and mold spores from recirculated indoor air. It features "center suction" air intake and 4-side return air discharge, 3 speeds, and optional charcoal after-filter.

The Trion Space Saver is the ideal air cleaner for installations such as restaurants, bars and taverns, offices, conference rooms, computer rooms, designated smoking areas, medical institutions, waiting rooms and retail outlets.

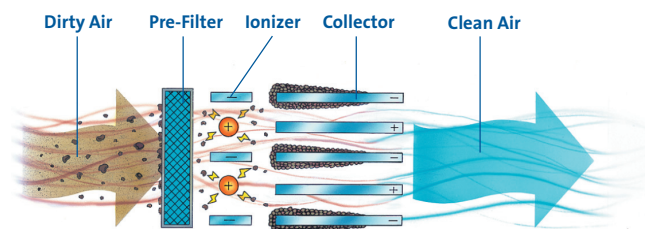
FEATURES/BENEFITS

- Low Profile — provides appealing unit with no expensive duct work installation
- Coanda air pattern — engineered for optimum air volume changes
- Hinged access — no tools required for quick and easy service
- Remote variable speed control (option) — adjustment at finger tips
- "Forever Filter"™ — no replacement cost/clean, dry and reinstall
- Recirculates indoor air — no expense to reheat or cool air



HOW ELECTROSTATIC PRECIPITATION TECHNOLOGY WORKS

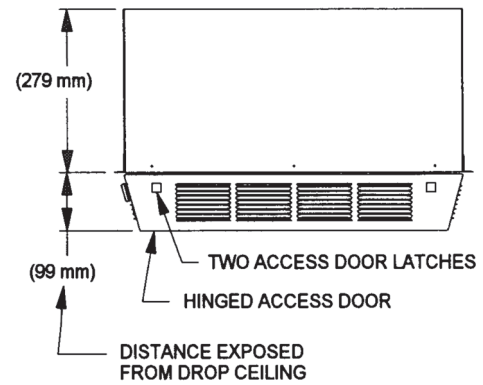
As air enters the filter, the particles pass through a high intensity electrical field that imparts an "electrical charge" to the particles. The charged particles then pass through a series of alternately charged collector plates. The charged particles are repelled by the plates with the same polarity and attracted by plates with opposite polarity—similar to how a powerful magnet works.



TRION[®]
air purification systems

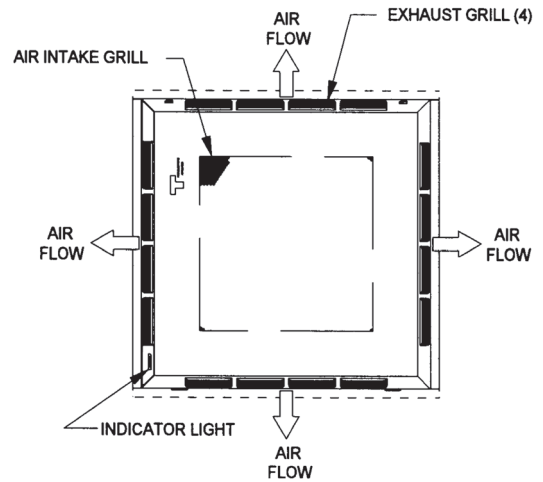
SPECIFICATIONS

	SPACE SAVER
Dimensions	578mm x 578mm x 407mm
Installation	Above ceiling/flush mount/99mm exposed
Weight	32 kg
Electrical	230 V/1/50
Power	290 watts
Blower	Direct Drive Propeller Fan
Air Volume (m³/hr)	680 - 1000
Controls	3 speed rotary switch & indicator
Sound Rating	45, 53, 58 dBA



STANDARD SPECIFICATIONS FOR EACH UNIT

Cabinet	18 gauge galvanized steel
Finish	Almond epoxy powder coat paint
Air Flow	4-way discharge, coanda flow
Filter Access	Push button release service access door
Mounting	4 Eyebolts
Hardware	Hard wired remote control
Accessories	Disposable charcoal after-filter
Options	IR controller



TRION[®]
air purification systems
FEDDERS ENGINEERED PRODUCTS

Trion Inc.
101 McNeill Road
Sanford, NC 27330, USA
Phone: 800-884-0002
Fax: 800-458-2379
www: trioninc.com
email: sales@trioninc.com

Trion, Ltd.
The Cavendish Centre
Winnall Close
Winchester, Hampshire,
SO23 0LB, UK
Phone: +44 (0) 1962 840465
Fax: +44 (0) 1962 828619
www: trion.co.uk
email: info@trion.co.uk

Trion Deutschland GmbH
Boschstr. 60
D - 50171 Kerpen
Phone: +49 (0) 2237 922-103
Fax: +49 (0) 2237 922-104
email: info@trion-deutschland.de

Fedders International Air Conditioning
A-30, Chintels House,
Kailash Colony
New Delhi
India 110048
Phone: 91 11 5173 0730
Fax: 91 11 5173 0743

Fedders International, Inc.
128 Joo Seng Road
#05-01
DP Computers Building
Singapore 368 356
Phone: (65) 6286 0995
Fax: (65) 6286 0859

Fedders International
No. 728 Fuzhou Road
Rm. 3002-3005
Raffles City Shanghai Office Tower
Shanghai, P.R. China, 200001
Phone: (86-21) 6340 3232
Fax: (86-21) 6340 3867/6340 3868

Form No. 02-0389 A4
©2004 Trion Inc. 3/04